

No.	Item	Symbol	Unit	Specification	No.	Item	Symbol	Unit	Specification
1	Drive	-	-	3 ϕ 220VAC	13	Rotor Inertia	J-M	kg-cm ²	0.42 \pm 10%
2	Cooling Method	-	-	Totally Enclosed	14	Rated Power Rate	Q-R	Kw/s	9.75
3	Exciting Method	-	-	Permanent Magnet	15	Resistance	Ra	Ω	6.4 \pm 10%/2 ϕ
4	Resolution	-	-	17 Bit-Inc	16	Inductance	L	mH	16.2 \pm 10% / 2 ϕ
5	Rated Output	P-R	W	200	17	Mech. Time Constant	Tm	ms	1.89 \pm 10%
6	Rated Torque	T-R	N-m	0.64	18	Elect. Time Constant	Te	ms	2.53 \pm 10%
7	Max. Torque	T-max	N-m	1.91	19	Insulation Class	-	-	Class F
8	Rated Speed	N-R	rpm	3000	20	Operation Temp.	T	$^{\circ}$ C	0~40
9	Rated Current	I-R	A	1.6	21	Operation Humd.	RH	%	<80
10	Max. Current	I-max	A	4.8	22	Storage Temp.	T	$^{\circ}$ C	-20~60 $^{\circ}$
11	Torque Constant	Kt	N-m/A	0.46	23	Storage Humd.	RH	%	<80
12	Voltage constant	Ke	V/Krpm	28 \pm 10%	24	Weight	W	kgw	1.1

Motor Wiring

1	U	Red
2	V	White
3	W	Black
4	F/G	G/Y

Encoder Wiring

1	Vcc	White
2	GND	Black
3	-	-
4	-	-
5	SD+	Blue
6	SD-	Purple
7	-	-
8	-	-
9	FG	Shield

AC SERVO MOTOR

Model: JSMA-PBC02A7K

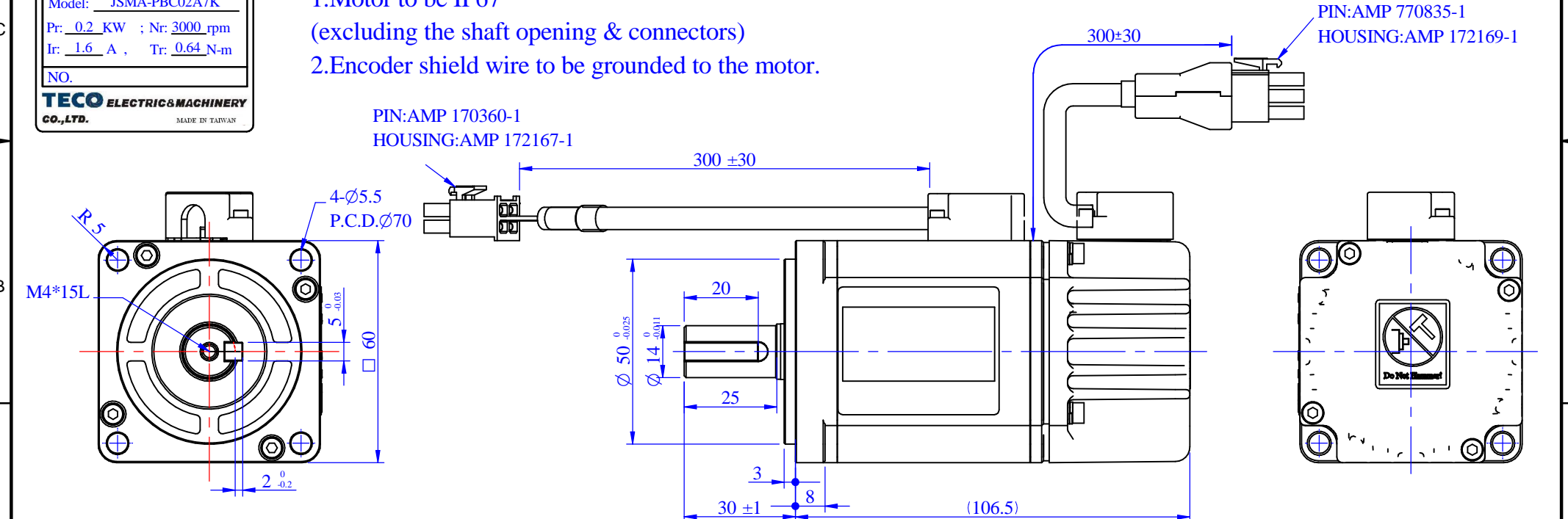
Pr: 0.2 KW ; Nr: 3000 rpm

Ir: 1.6 A , Tr: 0.64 N-m

NO.

TECO ELECTRIC & MACHINERY CO., LTD.
MADE IN TAIWAN

- Notes:**
1. Motor to be IP67 (excluding the shaft opening & connectors)
 2. Encoder shield wire to be grounded to the motor.



STANDARD TOLERANCE					APVD		SCALE	2/3	UNIT	mm	NAME	SERVO MOTOR OUTLINE DRAWING	
X	\pm 0.5				CHKD						TITLE	JSMA-PBC02A7K	
.X	\pm 0.2				CHKD		3RD .A.P						
.XX	\pm 0.05				DWN	hao	04-07-'16		TECO ELECTRO DEVICES CO., LTD.		Dept. Design	DWG.NO.	D01E06201C3N73D01
ANGLE	\pm 30'												
MATERIAL		REV	DESCRIPTION	SIGNATURE	DATE	SIGNATURE	DATE						